

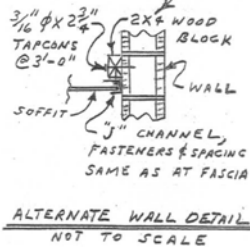
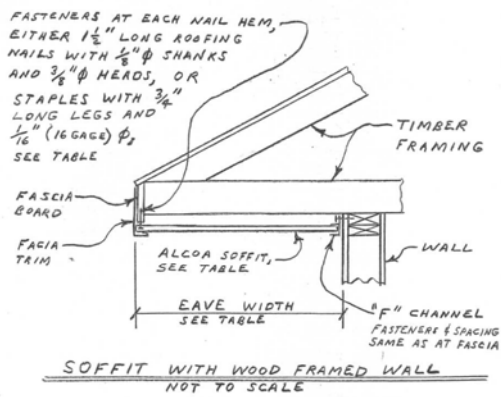
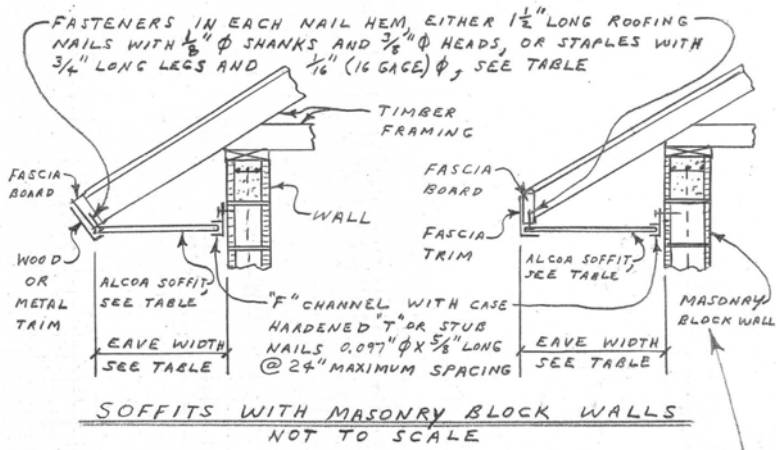
ALLOWABLE DESIGN WIND PRESSURES IN PSF

ALCOA SOFFIT TYPE	EAVE WIDTH IN INCHES				
	12"	15"	18"	21"	24"
TRADITIONAL SELECT (ALUMINUM) 12" NAILS SVG12N20, SVG12V20	+93.0 -82.3	+71.5 -63.3	+58.1 -51.5	+48.9 -43.3	+42.3 -37.4
TRADITIONAL SELECT (ALUMINUM) 6" NAILS SVGGN, SVGGV	+93.0 -16.5	+71.5 -12.7	+58.1 -102.9	+48.9 -86.7	+42.3 -76.8
TRADITIONAL (ALUMINUM) 12" NAILS SVG920149, SVG920144	+78.8 -69.4	+60.2 -53.4	+48.9 -43.4	+41.2 -36.5	+35.6 -31.5
ALUMA-GUARD PLUS 12" NAILS SAS12219, LFA12219, SAS12319, LCA12319, LFA12319	+93.0 -82.3	+71.5 -63.3	+58.1 -51.5	+48.9 -43.3	+42.3 -37.4
ALUMA-GUARD PLUS 16" NAILS SAS16419, LCA16419	+93.0 -61.7	+71.5 -47.5	+58.1 -38.6	+48.9 -32.5	+42.3 -28.1
ALUMA-GUARD 12" NAILS SAS12216, LFA12216, SAS12316, LCA12316, LFA12316	+78.8 -69.4	+60.2 -53.4	+48.9 -43.4	+41.2 -36.5	+35.6 -31.5
VENTURA™ (VINYL) 10" NAILS HVS10V, HVS10	+/- 61.2	+/- 47.0	+/- 38.2	+/- 32.2	+/- 27.8
VENTURA™ (VINYL) 10" STAPLES HVS10V, HVS10	+/- 102.1	+/- 78.4	+/- 63.6	+/- 53.6	+/- 46.3
PRO-SERIES BEADED (VINYL) 8" NAILS PSS8N, PSS8V	+/- 69.5	+/- 53.5	+/- 43.4	+/- 36.6	+/- 31.6
PRO-SERIES BEADED (VINYL) 8" STAPLES PSS8N, PSS8V	+/- 116.0	+/- 89.1	+/- 72.4	+/- 60.8	+/- 52.7
PRO-SERIES (VINYL) 10" NAILS PSS10N, PSS10V	+/- 63.9	+/- 49.2	+/- 40.0	+/- 33.7	+/- 29.1
PRO-SERIES (VINYL) 10" STAPLES PSS10N, PSS10V	+/- 106.7	+/- 82.1	+/- 66.8	+/- 56.1	+/- 48.4
PRO-SERIES (VINYL) 12" NAILS PTS12N, PTS12V, PTS12CV	+/- 46.3	+/- 35.6	+/- 29.0	+/- 24.4	+/- 21.1
PRO-SERIES (VINYL) 12" STAPLES PTS12N, PTS12V, PTS12CV	+/- 77.0	+/- 59.4	+/- 48.3	+/- 40.6	+/- 35.1
UNIVERSAL (VINYL) 12" NAILS UVS12N, UVS12P, UVS12CP	+/- 41.7	+/- 32.1	+/- 26.1	+/- 21.9	+/- 19.0
UNIVERSAL (VINYL) 12" STAPLES UVS12N, UVS12P, UVS12CP	+/- 69.6	+/- 53.2	+/- 43.4	+/- 36.6	+/- 31.6
TRADE MARK (VINYL) 10" NAILS TRMS10N, TRMS10V	+/- 55.6	+/- 42.8	+/- 34.7	+/- 29.3	+/- 25.3
TRADE MARK (VINYL) 10" STAPLES TRMS10N, TRMS10V	+/- 92.8	+/- 71.5	+/- 58.0	+/- 48.8	+/- 42.1

GENERAL NOTES

- DESIGN PRESSURES LISTED IN TABLE ARE BASED ON A COMPARATIVE ANALYSES DONE IN HR ENGINEERING, INC. PROJECT 09050004 AND ARE IN CONFORMANCE WITH "FLORIDA BUILDING CODE 2004, SECTION 1609 "WIND LOADS."
- FLORIDA BUILDING CODE 2004 DOES NOT DIRECTLY MANDATE WIND LOAD DESIGN PRESSURES ON SOFFITS.

HR Engine
CLIENT: ALCOA



ing, Inc.	DATE: 28 SEPT. 2005	PROJECT NO. 05090009 SHEET 1 OF 1
ME EXT.	BY: A. REEVES	PROJECT NAME: ALCOA SOFFITS - FLORIDA

Allen M. Reeves
28 SEPTEMBER 2005